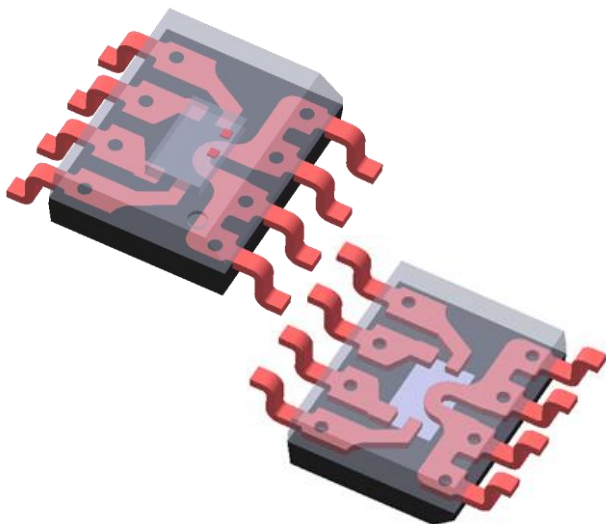


### 1 Product Description

The MagnTek® MT9223 product series is a fully integrated Hall Effect-based isolated linear current sensor device family designed for AC or DC current sensing in industrial, commercial, and communications systems. Each of the MT9223 consists of a precise, low-offset, linear Hall circuit with a low-resistance current conductor path located near the surface of the die. Applied current flowing through this low-resistance current conductor path generates a magnetic field that the Hall IC converts into a proportional voltage. The current is sensed differentially in order to reject common-mode fields, improving accuracy in magnetically noisy environments. Device accuracy is optimized through the close proximity of the magnetic field to the Hall transducer.

A precise, proportional voltage is provided by the low-offset, chopper-stabilized BCD Hall IC, which has been accurately calibrated when it is manufactured. The output of the device has a positive slope (>VOQ) when an increasing current flows through the primary current conduction path (from pins 1 and 2, to pins 3 and 4). The internal resistance of this conductive path is 1.2 mΩ typical, providing low-power loss. The terminals of the conductive path are electrically isolated from the signal leads (pins 5 through 8). This allows the MT9223 current sensor IC to be used in high-side current sense applications without use other costly isolation techniques.

The MT9223 family provides SOP-8 package to customers, The package is RoHS compliant.



Not to scale

### 2 Features

- ±1.9% Typical Total Output Error
- ±0.5% Typical Linearity Over Temperature
- Fast Output Response Time: 4 μs (typ.)
- 150kHz Signal Bandwidth
- 5.0V Single Supply Operation
- -40°C~125°C Operating Temperature
- Primary Conductor Resistance  
---1.2mΩ
- Sensing Current Range: (AC or DC)  
---±20A, ±25A, ±30A, ±40A, ±50A  
---+20A, +30A, +35A
- Output Voltage Proportional to AC or DC Current
- Ratiometric Output from Supply Voltage
- Extremely Stable Quiescent Output Voltage
- Low-Noise Analog Signal Path
- Device Bandwidth is Set via FILTER Pin
- Near Zero Magnetic Hysteresis
- Isolation Voltage:  
---2.4kVrms Dielectric Surge Isolation
- Package Option:  
---SOP-8
- RoHS Compliant: (EU)2015/863

### 3 Applications

- Low-power inverter current sensing
- Motor phase and rail current sensing
- PV String Inverters
- Chargers and Converters
- Switching Power Supplies
- Overcurrent Protection

### 4 Product Overview of MT9223

Part No.	Description
MT9223CT	SOP-8 Tape & Reel (3000pcs/bag)

## Table of Contents

1	Product Description.....	1
2	Features.....	1
3	Applications.....	1
4	Product Overview of MT9223.....	1
5	Functional Block Diagram .....	3
6	Pin Configuration and Function.....	3
7	Naming Specification.....	4
8	Selection Guide.....	4
9	Output Voltage vs. Input Current.....	5
10	Typical Application Circuit.....	6
11	Electrical and Magnetic Characteristics.....	7
	11.1 Absolute Maximum Ratings.....	7
	11.2 Isolation and Package Characteristics.....	7
	11.3 Life Time Characteristics.....	7
	11.4 ESD Rating.....	8
	11.5 Electrical Characteristics.....	8
	11.6 Accuracy Specifications.....	9
12	Characteristic Definitions.....	14
13	Package Material Information.....	17
	13.1 SOP-8 Package Information.....	17
14	Copy Rights and Disclaimer.....	18

## Reversion History

1	Originally Version	
2	0.2 Version	Update Application Figure
3	0.3 Version	Update Absolute Maximum Ratings
4	0.4 Version	Update Life Time Characteristics
5	1.0 Version	Update Absolute Maximum Ratings
7	1.1 Version	Update Electrical Specifications and Typical Application Circuit

### 5 Functional Block Diagram

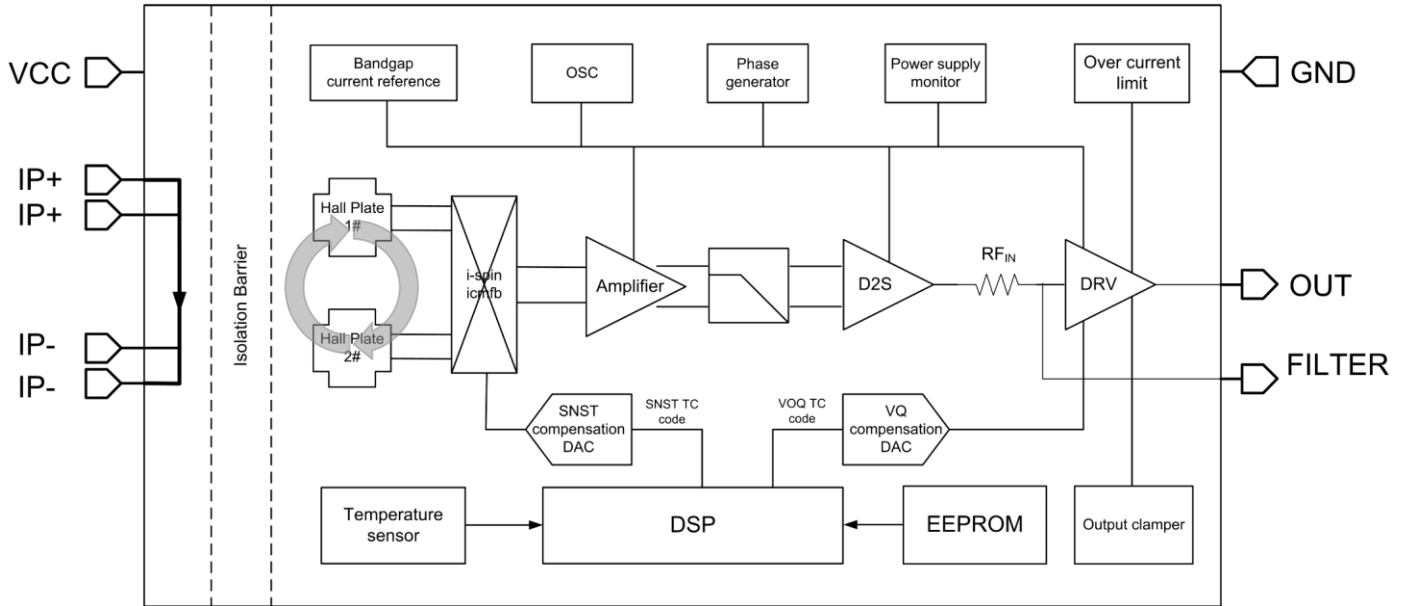


Figure.1 Functional Block Diagram

### 6 Pin Configuration and Functions

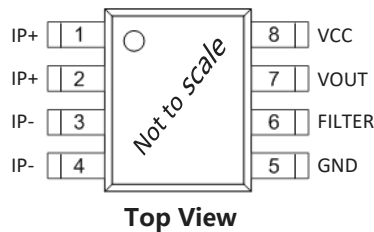


Figure.2 Pin Configuration & Functions (SOP-8)

No.	Name	Description
1, 2	IP+	Input Current Positive Pin
3, 4	IP-	Input Current Negative Pin
5	GND	Signal Ground
6	FILTER	Filter Pin to Set Bandwidth
7	VOUT	Analog Output Signal
8	VCC	Power Supply

## 7 Naming Specification



### ① Series Name

### ② Package Type

Type	Package Type
CT	SOP-8

### ③ Input Current Range

Type	Input Current Range
20	Full scale sensing range: 20A
25	Full scale sensing range: 25A
30	Full scale sensing range: 30A
35	Full scale sensing range: 35A
40	Full scale sensing range: 40A
50	Full scale sensing range: 50A

### ④ Current Polarity

Type	Current Polarity
B	Bidirectional---AC Current
U	Unidirectional---DC Current

### ⑤ Output Mode

Type	Output Mode
R	Ratiometry output

### ⑥ Power Supply

Type	Power Supply
5	VCC=5V

## 8 Selection Guide

Ordering Part Number	Current Range (A)	VCC (V)	Sensitivity (mV/A)	Package	Qty per Reel (pcs)
MT9223CT-20UR5	+20	5	200	SOP-8	3000
MT9223CT-30UR5	+30	5	133.3	SOP-8	3000
MT9223CT-35UR5	+35	5	114.3	SOP-8	3000
MT9223CT-20BR5	±20	5	100	SOP-8	3000
MT9223CT-25BR5	±25	5	80	SOP-8	3000
MT9223CT-30BR5	±30	5	66.6	SOP-8	3000
MT9223CT-40BR5	±40	5	50	SOP-8	3000
MT9223CT-50BR5	±50	5	40	SOP-8	3000

### 9 Output Voltage vs. Input Current

MT9223CT – xxUR5

MT9223CT – xxBR5

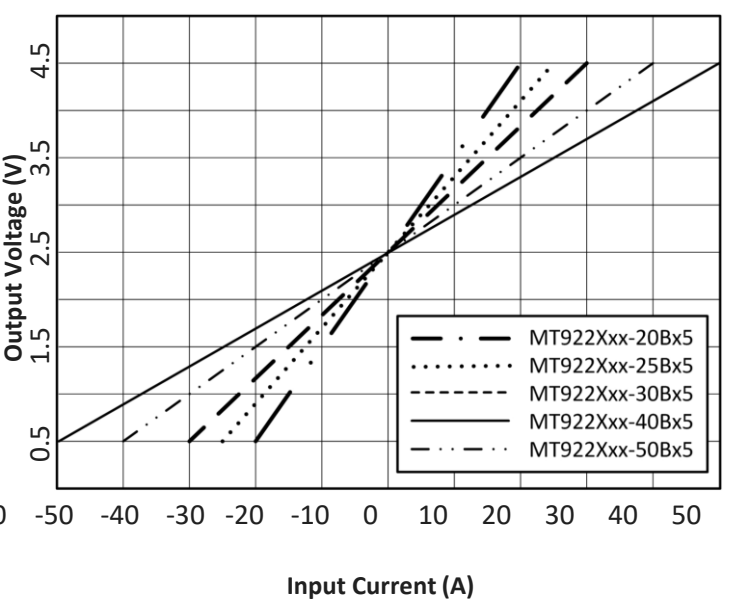
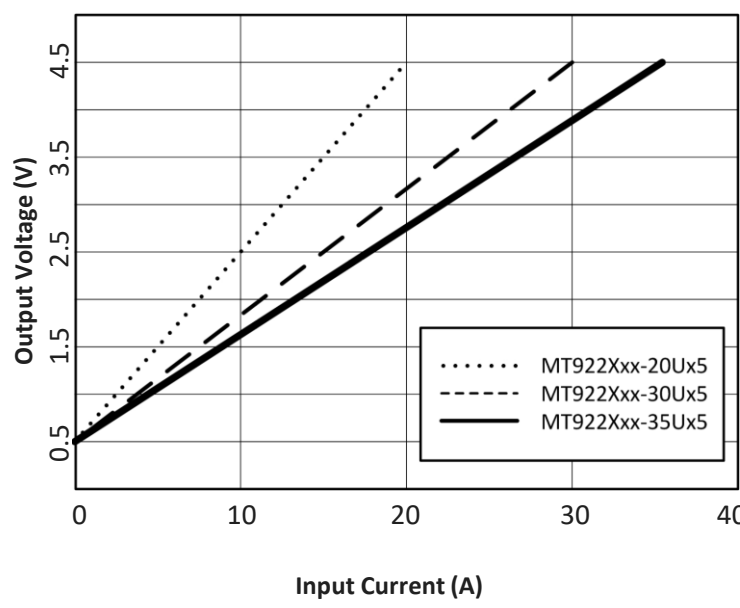
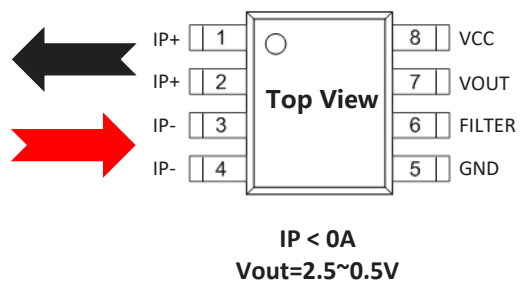
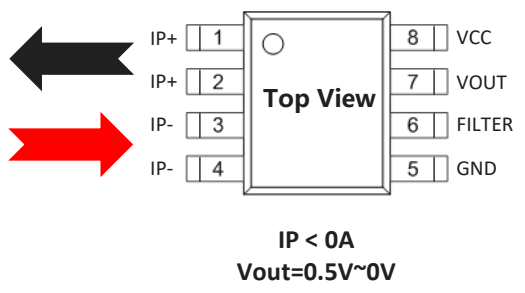
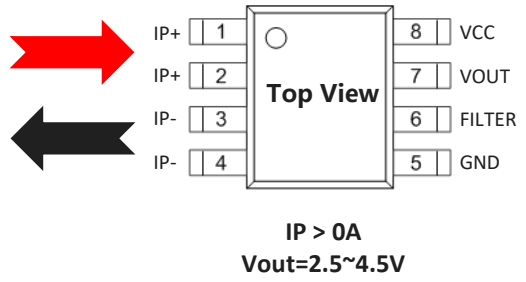
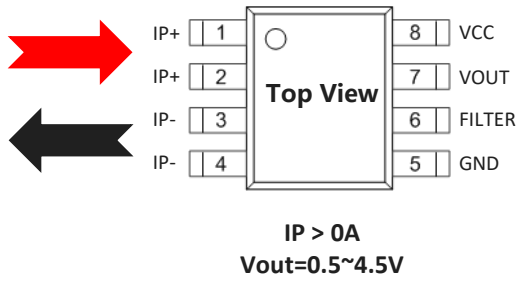
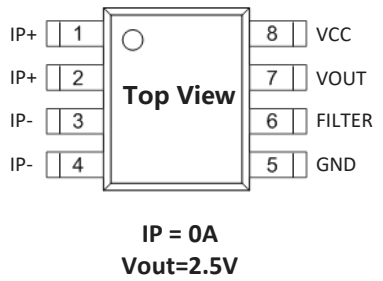
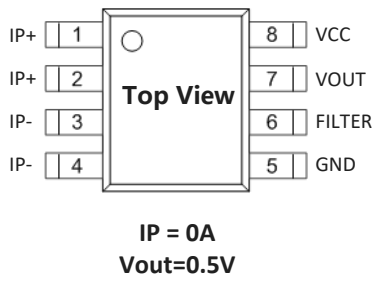


Figure.3 Output Voltage vs. Input Current

### 10 Typical Application Circuit

The typical application circuits of MT9223 series products include a bypass capacitor (**CBYPASS capacitor between VCC and GND is necessary**) and a filter capacitor as an additional external components. On the input side, pins 1 and 2 are shorted together, pins 3 and 4 are shorted together. The analog signal output is measured directly from the VOUT pin. The signal is proportional to the IP of the primary sensing current of AC or DC within the specified measurement range. **The FILTER pin can be used to reduce bandwidth to optimize noise performance, but at the same time proportionally increase response time. CFILTER Recommends "Open" , and the response time is the fastest.**

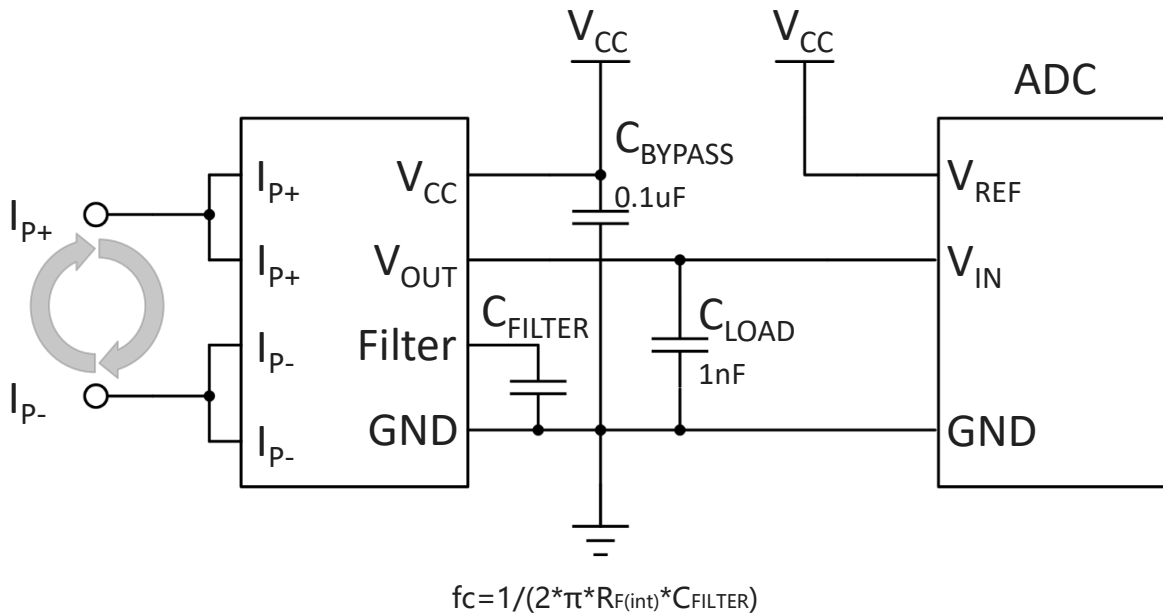


Figure.4 Typical Application Circuit

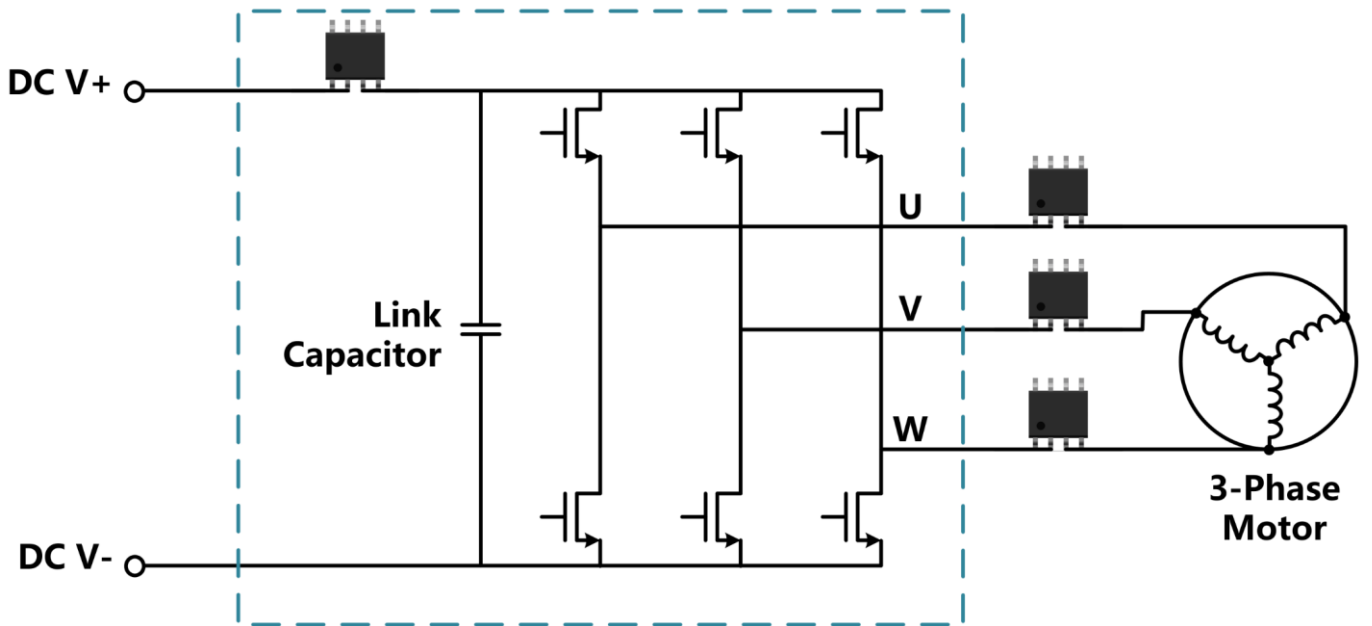


Figure.5 Simplified Three-Phase Inverter Schematic

## 11 Electrical Magnetic Characteristics

### 11.1 Absolute Maximum Ratings

Absolute maximum ratings are limited values to be applied individually, and beyond which the serviceability of the circuit may be impaired. Functional operability is not necessarily implied. Exposure to absolute maximum rating conditions for an extended period of time may affect device reliability.

Symbol	Parameters	Min	Max	Units
VCC	Supply Voltage	-	6	V
VRCC	Reverse Battery Voltage	-0.1	-	V
VOUT	Output Voltage	-	VCC+0.5	V
VROUT	Reverse Output Voltage	-0.1	-	V
IOUT(source)	Continuous Output Current	-	80	mA
IOUT(sink)	Continuous Output Current	-	40	mA
TA	Operating Ambient Temperature	-40	125	°C
TS	Storage Temperature	-50	150	°C
TJ	Junction Temperature	-	165	°C

### 11.2 Isolation and Package Characteristics

Symbol	Parameters	Test Conditions	Value	Units
V <sub>SURGE</sub>	Dielectric Surge Strength Test Voltage	Tested ±5 pulses at 30 seconds in compliance to IEC 61000-4-5 1.2 / 50 μs (width).	6000	V
V <sub>ISO</sub>	Dielectric Strength Test Voltage	Test method per UL standard 60950-1 (edition 2). V <sub>TEST</sub> = V <sub>ISO</sub> , t = 60 s (qualification); V <sub>TEST</sub> = 1.2 × V <sub>ISO</sub> , t = 1 s (100% production)	2400	V <sub>rms</sub>
V <sub>IOWM</sub>	Maximum Working Isolation Voltage	Maximum working isolation voltage according to UL60950-1	538 380	V <sub>PK</sub> or V <sub>DC</sub> V <sub>rms</sub>
CTI	Comparative Tracking Index	Comparative tracking index according to IEC60112:2009	550	V
D <sub>CL</sub>	External Clearance	Measured from input terminals to output terminals, shortest distance through air.	4	mm
D <sub>CR</sub>	External Creepage	Measured from input terminals to output terminals, shortest distance path along body.	4	mm

### 11.3 Life Time Characteristics

Symbol	Parameters	Test Condition	Min	Typ	Max	Unit
ESNST_DRIFT	Sensitivity Error Lifetime Drift	TA=-40~125°C	-3	-	3	%
ETOT_DRIFT	Total Output Error Lifetime Drift	TA=-40~125°C	-3	-	3	%

\* Based on characterization data obtained during AEC-Q100 stress testing.

## 11.4 ESD Ratings

Parameters	Reference	Grade
Human-body model (HBM)	AEC-Q100-002	Class IIIA
Charged-device model (CDM)	AEC-Q100-011	Class C3
Latch up	AEC-Q100-004	Class IIA

## 11.5 Electrical Specifications

At TA = -40~125 °C, VCC=5V (unless otherwise specified)

Symbol	Parameters	Test Condition	Min	Typ	Max	Unit
VCC	Supply Voltage	-	4.5	5	5.5	V
ICC	Supply Current	TA = 25°C	-	14	20	mA
RIP	Primary Conductor Resistance	TA = 25°C	-	1.2	-	mΩ
BW	Internal Bandwidth	Small signal -3 dB; CL = 1 nF	-	150	-	KHz
TPO	Power on time	TA = 25°C, CL = 1nF, IP=IPR(max) applied	-	190	-	us
TR	Rise time	IP = IPR(max), A = 25°C, CL = 1nF	-	3	-	us
TPD	Propagation Delay	IP = IPR(max), TA = 25°C, CL = 1nF	-	2	-	us
TRESP	Response Time	IP = IPR(max), TA = 25°C, CL = 1nF	-	4	5	us
VOL	Analog Output Low Saturation Level	RL>=4.7KΩ	-	-	0.3	V
VOH	Analog Output High Saturation Level	RL>=4.7KΩ	VCC-0.3	-	-	V
CL	Output CAP Load	OUT to GND	-	1	10	nF
ROUT	DC Output resistance		-	-	5	Ω
RL	Output RES Load	Pull-down to Ground	4.7	-	-	KΩ
		Pull-up to VCC	4.7	-	-	KΩ
RF(int)	Internal filter resistance		-	1.8	-	KΩ
IND	Noise Density	Input-referenced noise density; TA = 25°C, CL = 1 nF	-	120	-	uA/√Hz
ELIN	Nonlinearity error	Through full range of IP	-1.5	-	1.5	%
ERAT_SNST	Ratiometry Sensitivity Error	VCC = 4.5 to 5.5 V, TA = 25°C	-	±1.5	-	%
ERAT_VOQ	Ratiometry Quiescent Voltage Output Error	VCC = 4.5 to 5.5 V, TA = 25°C	-	±1	-	%

\* Device may be operated at higher primary current levels, ambient temperatures, and internal leadframe temperatures, provided the Maximum Junction Temperature, is not exceeded.

*Continued on the next page...*



**Electrical Specifications (continued)**At  $T_A = -40 \sim 125^\circ\text{C}$ ,  $V_{CC} = 5\text{V}$  (unless otherwise specified)

Symbol	Parameters	Test Condition	Min	Typ	Max	Unit
CMFRR	Common Mode Field Rejection Ratio	Uniform external magnetic field	-	40	-	dB
SNST(match)	Hall Plate Sensitivity Matching	$T_A = 25^\circ\text{C}$		$\pm 1$	-	%
VPORH	Power-On Reset High Voltage	$T_A = 25^\circ\text{C}$ , VCC rising	3.75	4	4.25	V
VPORL	Power-On Reset Low Voltage	$T_A = 25^\circ\text{C}$ , VCC falling	-	3.5	-	V
VPORHYS	Power-On Reset Hysteresis	$T_A = 25^\circ\text{C}$	-	0.5	-	V
TPORR	Power-On Reset Release Time	$T_A = 25^\circ\text{C}$ , VCC rising	-	30	-	us
TPORA	Power-On Reset Analog Delay	$T_A = 25^\circ\text{C}$ , VCC rising	-	5	-	us
ISCLP	Source Current of Over-Current-Limit	-	-	80	-	mA
ISCLN	Sink Current of Over-Current-Limit	-	-	40	-	mA
TSCLD	Detect Time for Over-Current-Limit	$T_A = 25^\circ\text{C}$ , $I_{OUT} > I_{SCLP}$ or $I_{OUT} < I_{SCLN}$	-	7	-	us
TSCLR	Release Time for Over-Current-Limit	$T_A = 25^\circ\text{C}$	-	0.62	-	ms

\* Device may be operated at higher primary current levels, ambient temperatures, and internal leadframe temperatures, provided the Maximum Junction Temperature, is not exceeded.

**11.6 Accuracy Specifications**MT9223CT-20UR5 At  $T_A = -40 \sim 125^\circ\text{C}$ ,  $V_{CC} = 5\text{V}$  (unless otherwise specified)

Symbol	Parameters	Test Condition	Min	Typ	Max	Unit
IPR	Optimized Input Current Range		0	-	20	A
SNST	Sensitivity	$0\text{A} \leq I_P \leq 20\text{A}$	-	200	-	mV/A
VOQ	Zero-Current Output Voltage		-	$V_{CC} \times 0.1$	-	V
VOE	Zero-Current Output Error	$I_P = 0\text{A}$ , $T_A = 25^\circ\text{C}$	-10	-	10	mV
		$I_P = 0\text{A}$ , $T_A = -40^\circ\text{C}$ to $25^\circ\text{C}$	-25	-	25	mV
		$I_P = 0\text{A}$ , $T_A = 25^\circ\text{C}$ to $125^\circ\text{C}$	-25	-	25	mV
ESNST	Sensitivity Error	$I_P = 20\text{A}$ , $T_A = 25^\circ\text{C}$	-1.5	-	1.5	%
		$I_P = 20\text{A}$ , $T_A = -40^\circ\text{C}$ to $25^\circ\text{C}$	-2.5	-	2.5	%
		$I_P = 20\text{A}$ , $T_A = 25^\circ\text{C}$ to $125^\circ\text{C}$	-2.5	-	2.5	%
ETOT	Total Output Error	$I_P = 20\text{A}$ , $T_A = 25^\circ\text{C}$	-1.9	-	1.9	%
		$I_P = 20\text{A}$ , $T_A = -40^\circ\text{C}$ to $25^\circ\text{C}$	-3.5	-	3.5	%
		$I_P = 20\text{A}$ , $T_A = 25^\circ\text{C}$ to $125^\circ\text{C}$	-3.5	-	3.5	%

\* Device may be operated at higher primary current levels, ambient temperatures, and internal leadframe temperatures, provided the Maximum Junction Temperature, is not exceeded.

**MT9223CT-20BR5** At  $T_A = -40 \sim 125^\circ\text{C}$ ,  $V_{CC} = 5\text{V}$  (unless otherwise specified)

Symbol	Parameters	Test Condition	Min	Typ	Max	Unit
IPR	Optimized Input Current Range		-20	-	20	A
SNST	Sensitivity	$-20\text{A} \leq I_P \leq 20\text{A}$	-	100	-	mV/A
VOQ	Zero-Current Output Voltage		-	$V_{CC} \times 0.5$	-	V
VOE	Zero-Current Output Error	$I_P = 0\text{ A}$ , $T_A = 25^\circ\text{C}$	-10	-	10	mV
		$I_P = 0\text{ A}$ , $T_A = -40^\circ\text{C}$ to $25^\circ\text{C}$	-25	-	25	mV
		$I_P = 0\text{ A}$ , $T_A = 25^\circ\text{C}$ to $125^\circ\text{C}$	-25	-	25	mV
ESNST	Sensitivity Error	$I_P = 20\text{A}$ , $T_A = 25^\circ\text{C}$	-1.5	-	1.5	%
		$I_P = 20\text{A}$ , $T_A = -40^\circ\text{C}$ to $25^\circ\text{C}$	-2.5	-	2.5	%
		$I_P = 20\text{A}$ , $T_A = 25^\circ\text{C}$ to $125^\circ\text{C}$	-2.5	-	2.5	%
ETOT	Total Output Error	$I_P = 20\text{A}$ , $T_A = 25^\circ\text{C}$	-1.9	-	1.9	%
		$I_P = 20\text{A}$ , $T_A = -40^\circ\text{C}$ to $25^\circ\text{C}$	-3.5	-	3.5	%
		$I_P = 20\text{A}$ , $T_A = 25^\circ\text{C}$ to $125^\circ\text{C}$	-3.5	-	3.5	%

\* Device may be operated at higher primary current levels, ambient temperatures, and internal leadframe temperatures, provided the Maximum Junction Temperature, is not exceeded.

**MT9223CT-25BR5** At  $T_A = -40 \sim 125^\circ\text{C}$ ,  $V_{CC} = 5\text{V}$  (unless otherwise specified)

Symbol	Parameters	Test Condition	Min	Typ	Max	Unit
IPR	Optimized Input Current Range		-25	-	25	A
SNST	Sensitivity	$-25\text{A} \leq I_P \leq 25\text{A}$	-	80	-	mV/A
VOQ	Zero-Current Output Voltage		-	$V_{CC} \times 0.5$	-	V
VOE	Zero-Current Output Error	$I_P = 0\text{ A}$ , $T_A = 25^\circ\text{C}$	-10	-	10	mV
		$I_P = 0\text{ A}$ , $T_A = -40^\circ\text{C}$ to $25^\circ\text{C}$	-25	-	25	mV
		$I_P = 0\text{ A}$ , $T_A = 25^\circ\text{C}$ to $125^\circ\text{C}$	-25	-	25	mV
ESNST	Sensitivity Error	$I_P = 25\text{A}$ , $T_A = 25^\circ\text{C}$	-1.5	-	1.5	%
		$I_P = 25\text{A}$ , $T_A = -40^\circ\text{C}$ to $25^\circ\text{C}$	-2.5	-	2.5	%
		$I_P = 25\text{A}$ , $T_A = 25^\circ\text{C}$ to $125^\circ\text{C}$	-2.5	-	2.5	%
ETOT	Total Output Error	$I_P = 25\text{A}$ , $T_A = 25^\circ\text{C}$	-1.9	-	1.9	%
		$I_P = 25\text{A}$ , $T_A = -40^\circ\text{C}$ to $25^\circ\text{C}$	-3.5	-	3.5	%
		$I_P = 25\text{A}$ , $T_A = 25^\circ\text{C}$ to $125^\circ\text{C}$	-3.5	-	3.5	%

\* Device may be operated at higher primary current levels, ambient temperatures, and internal leadframe temperatures, provided the Maximum Junction Temperature, is not exceeded.

**MT9223CT-30UR5** At  $T_A = -40 \sim 125^\circ\text{C}$ ,  $V_{CC} = 5\text{V}$  (unless otherwise specified)

Symbol	Parameters	Test Condition	Min	Typ	Max	Unit
IPR	Optimized Input Current Range		0	-	30	A
SNST	Sensitivity	$0\text{A} \leq I_P \leq 30\text{A}$	-	133.3	-	mV/A
VOQ	Zero-Current Output Voltage		-	$V_{CC} \times 0.1$	-	V
VOE	Zero-Current Output Error	$I_P = 0\text{A}$ , $T_A = 25^\circ\text{C}$	-10	-	10	mV
		$I_P = 0\text{A}$ , $T_A = -40^\circ\text{C}$ to $25^\circ\text{C}$	-25	-	25	mV
		$I_P = 0\text{A}$ , $T_A = 25^\circ\text{C}$ to $125^\circ\text{C}$	-25	-	25	mV
ESNST	Sensitivity Error	$I_P = 30\text{A}$ , $T_A = 25^\circ\text{C}$	-1.5	-	1.5	%
		$I_P = 30\text{A}$ , $T_A = -40^\circ\text{C}$ to $25^\circ\text{C}$	-2.5	-	2.5	%
		$I_P = 30\text{A}$ , $T_A = 25^\circ\text{C}$ to $125^\circ\text{C}$	-2.5	-	2.5	%
ETOT	Total Output Error	$I_P = 30\text{A}$ , $T_A = 25^\circ\text{C}$	-1.9	-	1.9	%
		$I_P = 30\text{A}$ , $T_A = -40^\circ\text{C}$ to $25^\circ\text{C}$	-3.5	-	3.5	%
		$I_P = 30\text{A}$ , $T_A = 25^\circ\text{C}$ to $125^\circ\text{C}$	-3.5	-	3.5	%

\* Device may be operated at higher primary current levels, ambient temperatures, and internal leadframe temperatures, provided the Maximum Junction Temperature, is not exceeded.

**MT9223CT-30BR5** At  $T_A = -40 \sim 125^\circ\text{C}$ ,  $V_{CC} = 5\text{V}$  (unless otherwise specified)

Symbol	Parameters	Test Condition	Min	Typ	Max	Unit
IPR	Optimized Input Current Range		-30	-	30	A
SNST	Sensitivity	$-30\text{A} \leq I_P \leq 30\text{A}$	-	66.6	-	mV/A
VOQ	Zero-Current Output Voltage		-	$V_{CC} \times 0.5$	-	V
VOE	Zero-Current Output Error	$I_P = 0\text{A}$ , $T_A = 25^\circ\text{C}$	-10	-	10	mV
		$I_P = 0\text{A}$ , $T_A = -40^\circ\text{C}$ to $25^\circ\text{C}$	-25	-	25	mV
		$I_P = 0\text{A}$ , $T_A = 25^\circ\text{C}$ to $125^\circ\text{C}$	-25	-	25	mV
ESNST	Sensitivity Error	$I_P = 30\text{A}$ , $T_A = 25^\circ\text{C}$	-1.5	-	1.5	%
		$I_P = 30\text{A}$ , $T_A = -40^\circ\text{C}$ to $25^\circ\text{C}$	-2.5	-	2.5	%
		$I_P = 30\text{A}$ , $T_A = 25^\circ\text{C}$ to $125^\circ\text{C}$	-2.5	-	2.5	%
ETOT	Total Output Error	$I_P = 30\text{A}$ , $T_A = 25^\circ\text{C}$	-1.9	-	1.9	%
		$I_P = 30\text{A}$ , $T_A = -40^\circ\text{C}$ to $25^\circ\text{C}$	-3.5	-	3.5	%
		$I_P = 30\text{A}$ , $T_A = 25^\circ\text{C}$ to $125^\circ\text{C}$	-3.5	-	3.5	%

\* Device may be operated at higher primary current levels, ambient temperatures, and internal leadframe temperatures, provided the Maximum Junction Temperature, is not exceeded.

**MT9223CT-35UR5** At  $T_A = -40 \sim 125^\circ\text{C}$ ,  $V_{CC} = 5\text{V}$  (unless otherwise specified)

Symbol	Parameters	Test Condition	Min	Typ	Max	Unit
IPR	Optimized Input Current Range		0	-	35	A
SNST	Sensitivity	$0\text{A} \leq I_P \leq 35\text{A}$	-	114.3	-	mV/A
VOQ	Zero-Current Output Voltage		-	$V_{CC} \times 0.1$	-	V
VOE	Zero-Current Output Error	$I_P = 0\text{ A}, T_A = 25^\circ\text{C}$	-10	-	10	mV
		$I_P = 0\text{ A}, T_A = -40^\circ\text{C}$ to $25^\circ\text{C}$	-25	-	25	mV
		$I_P = 0\text{ A}, T_A = 25^\circ\text{C}$ to $125^\circ\text{C}$	-25	-	25	mV
ESNST	Sensitivity Error	$I_P = 35\text{A}, T_A = 25^\circ\text{C}$	-1.5	-	1.5	%
		$I_P = 35\text{A}, T_A = -40^\circ\text{C}$ to $25^\circ\text{C}$	-2.5	-	2.5	%
		$I_P = 35\text{A}, T_A = 25^\circ\text{C}$ to $125^\circ\text{C}$	-3.0	-	3.0	%
ETOT	Total Output Error	$I_P = 35, T_A = 25^\circ\text{C}$	-1.9	-	1.9	%
		$I_P = 35\text{A}, T_A = -40^\circ\text{C}$ to $25^\circ\text{C}$	-3.5	-	3.5	%
		$I_P = 35\text{A}, T_A = 25^\circ\text{C}$ to $125^\circ\text{C}$	-4.0	-	4.0	%

\* Device may be operated at higher primary current levels, ambient temperatures, and internal leadframe temperatures, provided the Maximum Junction Temperature, is not exceeded.

**MT9223CT-40BR5** At  $T_A = -40 \sim 125^\circ\text{C}$ ,  $V_{CC} = 5\text{V}$  (unless otherwise specified)

Symbol	Parameters	Test Condition	Min	Typ	Max	Unit
IPR	Optimized Input Current Range		-40	-	40	A
SNST	Sensitivity	$-40\text{A} \leq I_P \leq 40\text{A}$	-	50	-	mV/A
VOQ	Zero-Current Output Voltage		-	$V_{CC} \times 0.5$	-	V
VOE	Zero-Current Output Error	$I_P = 0\text{ A}, T_A = 25^\circ\text{C}$	-10	-	10	mV
		$I_P = 0\text{ A}, T_A = -40^\circ\text{C}$ to $25^\circ\text{C}$	-25	-	25	mV
		$I_P = 0\text{ A}, T_A = 25^\circ\text{C}$ to $125^\circ\text{C}$	-25	-	25	mV
ESNST	Sensitivity Error	$I_P = 40\text{A}, T_A = 25^\circ\text{C}$	-1.5	-	1.5	%
		$I_P = 40\text{A}, T_A = -40^\circ\text{C}$ to $25^\circ\text{C}$	-2.5	-	2.5	%
		$I_P = 40\text{A}, T_A = 25^\circ\text{C}$ to $125^\circ\text{C}$	-3.0	-	3.0	%
ETOT	Total Output Error	$I_P = 40\text{A}, T_A = 25^\circ\text{C}$	-1.9	-	1.9	%
		$I_P = 40\text{A}, T_A = -40^\circ\text{C}$ to $25^\circ\text{C}$	-3.5	-	3.5	%
		$I_P = 40\text{A}, T_A = 25^\circ\text{C}$ to $125^\circ\text{C}$	-4.0	-	4.0	%

\* Device may be operated at higher primary current levels, ambient temperatures, and internal leadframe temperatures, provided the Maximum Junction Temperature, is not exceeded.

**MT9223CT-50BR5** At  $T_A = -40 \sim 125\text{ }^\circ\text{C}$ ,  $V_{CC} = 5\text{V}$  (unless otherwise specified)

Symbol	Parameters	Test Condition	Min	Typ	Max	Unit
IPR	Optimized Input Current Range		-50	-	50	A
SNST	Sensitivity	$-50\text{A} \leq I_P \leq 50\text{A}$	-	40	-	mV/A
VOQ	Zero-Current Output Voltage		-	$V_{CC} \times 0.5$	-	V
VOE	Zero-Current Output Error	$I_P = 0\text{ A}$ , $T_A = 25^\circ\text{C}$	-10	-	10	mV
		$I_P = 0\text{ A}$ , $T_A = -40^\circ\text{C}$ to $25^\circ\text{C}$	-25	-	25	mV
		$I_P = 0\text{ A}$ , $T_A = 25^\circ\text{C}$ to $125^\circ\text{C}$	-25	-	25	mV
ESNST	Sensitivity Error	$I_P = 50\text{A}$ , $T_A = 25^\circ\text{C}$	-1.5	-	1.5	%
		$I_P = 50\text{A}$ , $T_A = -40^\circ\text{C}$ to $25^\circ\text{C}$	-2.5	-	2.5	%
		$I_P = 50\text{A}$ , $T_A = 25^\circ\text{C}$ to $125^\circ\text{C}$	-3.5	-	3.5	%
ETOT	Total Output Error	$I_P = 50\text{A}$ , $T_A = 25^\circ\text{C}$	-1.9	-	1.9	%
		$I_P = 50\text{A}$ , $T_A = -40^\circ\text{C}$ to $25^\circ\text{C}$	-3.5	-	3.5	%
		$I_P = 50\text{A}$ , $T_A = 25^\circ\text{C}$ to $125^\circ\text{C}$	-4.5	-	4.5	%

\* Device may be operated at higher primary current levels, ambient temperatures, and internal leadframe temperatures, provided the Maximum Junction Temperature, is not exceeded.

## 12 Characteristic Definitions

### Power On Time---TPO

When the supply is ramped to its operating voltage, the device requires a finite time to power its internal components before responding to an input magnetic field.

The Power-On Time (TPO) is defined as the time taken between the supply reaching the minimum operating voltage  $V_{CCmin}$  ( $t_1$ ), and the output voltage to settling to within  $\pm 10\%$  of its steady state value under an applied magnetic field ( $t_2$ ) (See Figure 6).

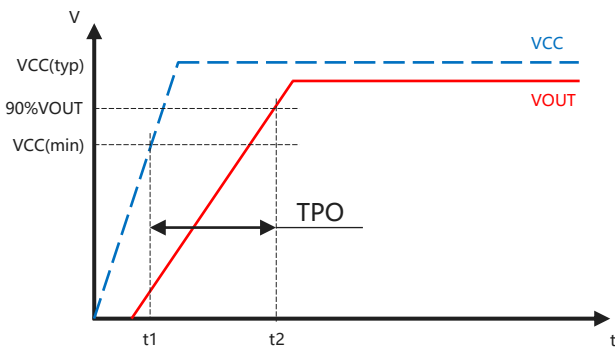


Figure.6 Power On Time Definition

### Propagation Delay---TPD

The time interval between a) when the primary current signal reaches 20% of its final value, and b) when the output reaches 20% of its final value (see Figure 7).

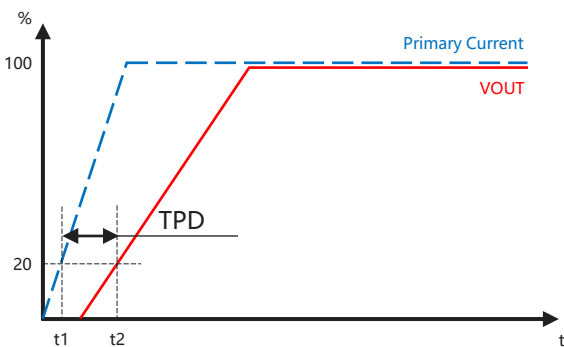


Figure.7 Propagation Delay Definition

### Rise Time---TR

Rise Time is the time interval between the sensor  $V_{OUT}$  reaching 10% of its full scale value ( $t_1$ ), and it reaching 90% of its full scale value ( $t_2$ ). (see Figure 8). Both  $T_R$  and  $T_{RESP}$  can be negatively affected by any eddy current losses created if a conductive ground plane is used.

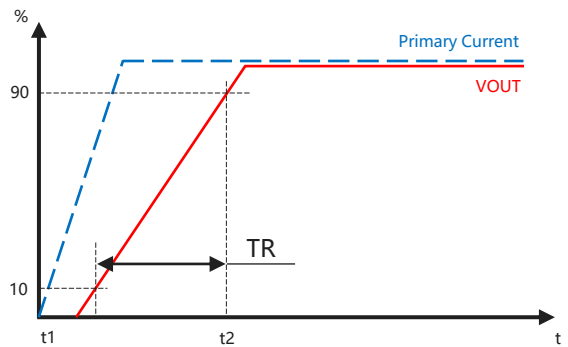


Figure.8 Rise Time Definition

### Response Time---TRESP

The time interval between a) when the primary current signal reaches 80% of its final value, and b) when the sensor reaches 80% of its output corresponding to the applied current. (see Figure 9). Both  $T_R$  and  $T_{RESP}$  can be negatively affected by any eddy current losses created if a conductive ground plane is used.

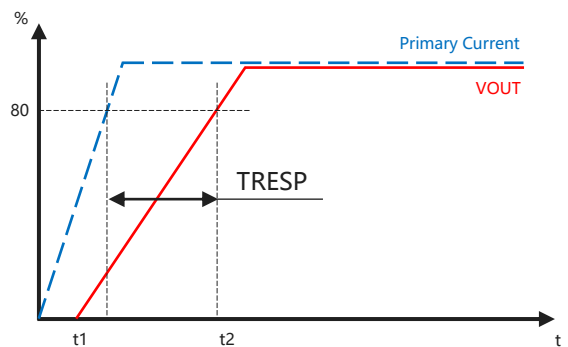


Figure.9 Response Time Definition

**Zero-Current Output Voltage---VOQ**

VOQ is the voltage output when the primary current is zero. For a unipolar supply voltage, it nominally remains at  $0.5 \times VCC$  for a bidirectional device and  $0.1 \times VCC$  for a unidirectional device. For example, in the case of a bidirectional output device,  $VCC=5V$  translates into  $VOQ=2.5V$ . Variation in VOQ from the nominal value is due to thermal drift and the resolution limits of voltage offset trimming in the factory.

**Zero-Current Output Error---VOE**

The deviation of the device output from its ideal quiescent value of  $0.5 \times VCC$  (bidirectional) or  $0.1 \times VCC$  (unidirectional) due to nonmagnetic causes. To convert this voltage to amp, divide by the device sensitivity (SNST).

**Sensitivity---SNST**

The Sensitivity in mV/A indicates how much the output changes when the primary current changes. It is the product of the magnetic circuit sensitivity (G/A) ( $1G = 0.1mT$ ) and the linear IC amplifier gain (mV/G). The linear IC amplifier gain is programmed at the factory to optimize the sensitivity (mV/A) for the full-scale current of the device.

$$SNST = \left( \frac{VOUT\_IPOSx - VOUT\_INEGx}{IPOSx - INEGx} \right)$$

where IPOSx and INEGx are two current values with opposite polarities.

**Total Output Error---ETOT**

The accuracy represents the maximum deviation of the actual current output from its ideal current value. This is equivalent to the difference between the actual output voltage and the ideal output voltage, divided by the ideal sensitivity, relative to the current flowing through the primary conduction path:

$$ETOT(IP) = \left( \frac{VOUT\_IP - VOUT\_ideal(IP)}{SNST\_ideal * IP} \right) * 100\%$$

**Nonlinearity Sensitivity Error---ELIN**

Ideally the primary current vs sensor output function is a straight line. The non-linearity is an indication of the worst deviation from this straight line. The ELIN in % is defined as:

$$ELIN = \left( \frac{SNST\_I1}{SNST\_I2} - 1 \right) * 100\%$$

Where:

$$SNST\_I1 = \left( \frac{VOUT\_IPOS1 - VOUT\_INEG1}{IPOS1 - INEG1} \right)$$

$$SNST\_I2 = \left( \frac{VOUT\_IPOS2 - VOUT\_INEG2}{IPOS2 - INEG2} \right)$$

and IPOSx and INEGx are positive and negative current values, with respect to the quiescent voltage output such that  $|IPOS2| = |INEG2| = IPRmax$ , and  $|IPOS2| = 2 \times |IPOS1|$  and  $|INEG2| = 2 \times |INEG1|$ .

**Ratiometry Error---ERAT**

The MT9223 device features ratiometric output. This means that the Quiescent Voltage Output (VOQ) and sensitivity (SNST), are proportional to the Supply Voltage, VCC. In other words, when the supply voltage increases or decreases by a certain percentage, each characteristic also increases or decreases by the same percentage. Error is the difference between the measured change in the supply voltage relative to 5 V, and the measured change in each characteristic.

**Ratiometry Quiescent Voltage Output Error---ERAT\_VOQ**

ERAT\_VOQ, for a given supply voltage, is defined as:

$$ERAT\_VOQ = \left( \frac{VOQ(VCC)/VCC}{VOQ(5V)/5V} - 1 \right) * 100\%$$

**Ratiometry Sensitivity Error---ERAT\_SNST**

ERAT\_SNST, for a given supply voltage, is defined as:

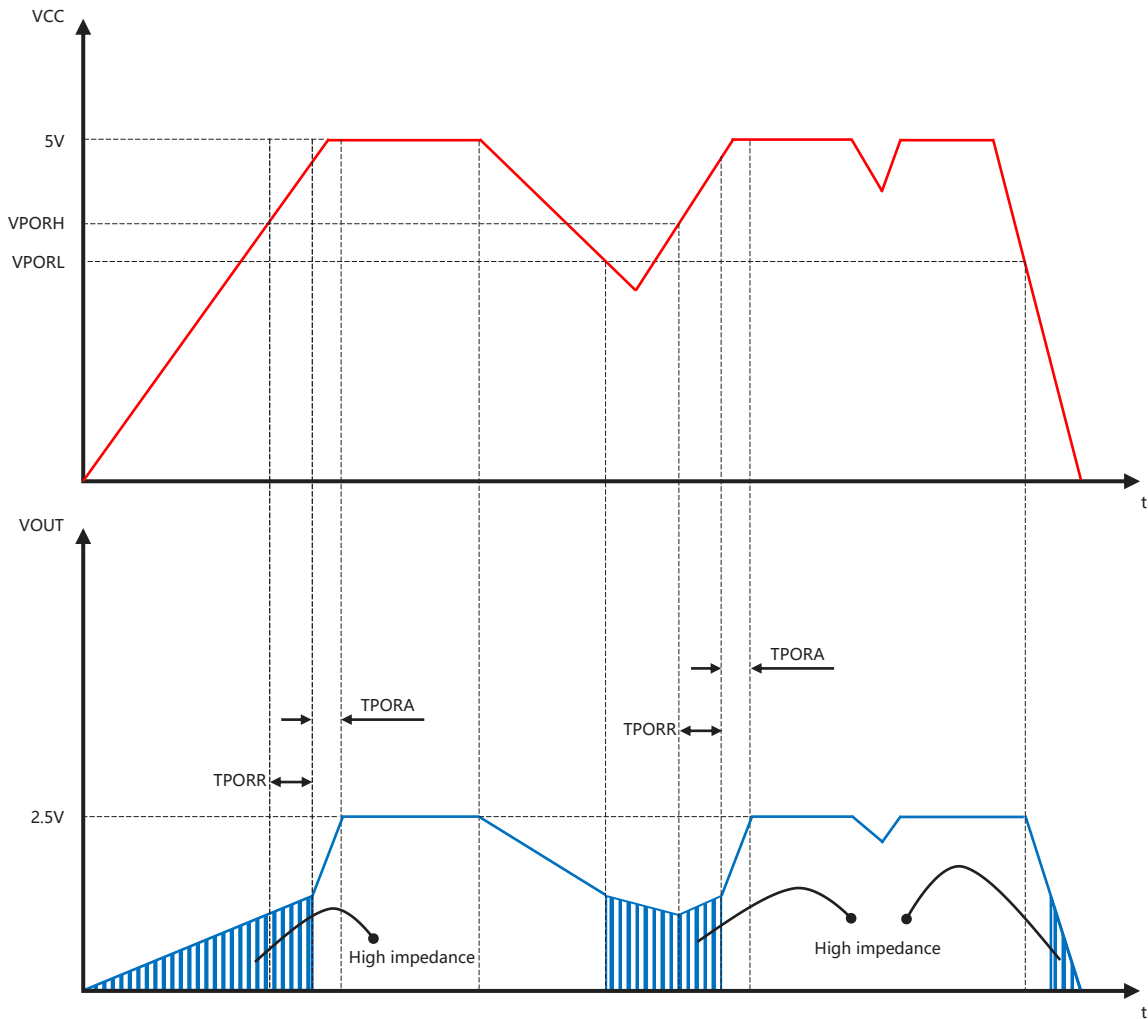
$$ERAT\_SNST = \left( \frac{SNST\_I1(VCC)/VCC}{SNST\_I1(5V)/5V} - 1 \right) * 100\%$$

**Power-On Reset---POR**

The descriptions in this section assume temperature = 25°C, no output load (RL, CL) , and no the applied current is present.

**Power-Up.** At power-up, as VCC ramps up, the output is in a high-impedance state. When VCC crosses VPORH, the output will go to VCC/2 after POR Release counter (TPORR) + POR Analog delay (TPORA).

**VCC drops below VCC(min) = 4.5 V.** If VCC drops below VPORL, the output will be in a high-impedance state. If VCC recovers and exceeds VPORH, the output will go back to normal operation after POR Release counter (TPORR) + POR Analog delay (TPORA) (See Figure. 10).

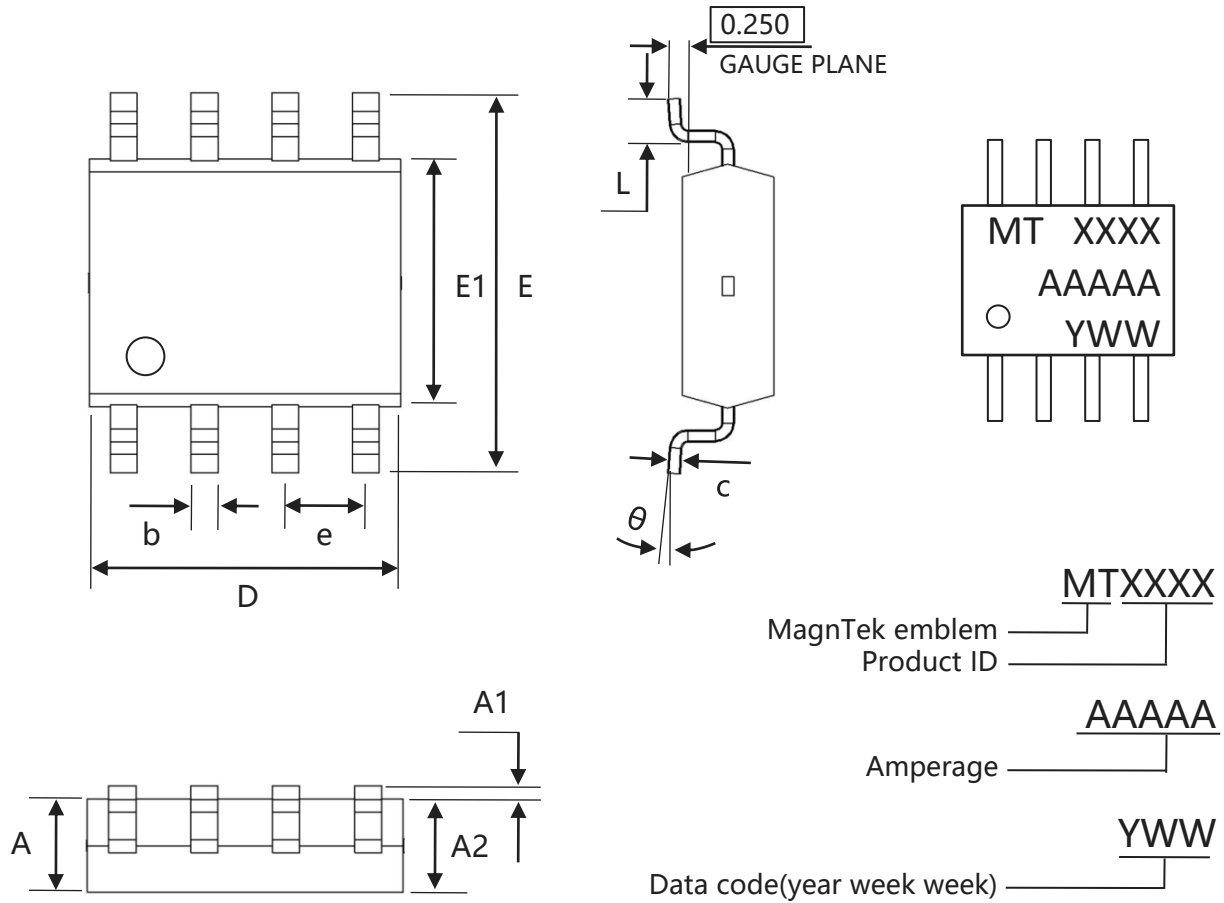


**Figure.10 Power-On Reset Definition**



**13 Package Material Information (For Reference Only – Not for Tooling Use)**

**13.1 SOP-8 Package Information**



Symbol	Dimensions in Millimeters		Dimensions in Inches	
	Min	Max	Min	Max
A	1.450	1.750	0.057	0.069
A1	0.100	0.250	0.004	0.010
A2	1.350	1.550	0.053	0.061
b	0.330	0.510	0.013	0.020
c	0.170	0.250	0.007	0.010
D	4.700	5.100	0.185	0.201
E	5.800	6.200	0.228	0.244
E1	3.800	4.000	0.150	0.157
e	1.270(BSC)		0.050(BSC)	
L	0.400	1.270	0.016	0.050
$\theta$	0°	8°	0°	8°

## 14 Copy Rights and Disclaimer

1. This document may not be reproduced or duplicated, in any form, in whole or in part without prior written consent of MagnTek . Copyrights © 2019, MagnTek Incorporated.
2. MagnTek reserves the right to make changes to the information published in this document at anytime without notice.
3. MagnTek' s products are limited for use in normal commercial applications. MagnTek' s products are not to be used in any device or system, including but not limited to medical life support equipment and system.

For the latest version of this document, please visit our website: [www.magntek.com.cn](http://www.magntek.com.cn)